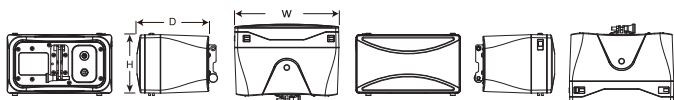


Butterfly 4ca



With low impedance output and 70V/100V outputs



Dimensions(W×H×D): 215×122×165mm

Specifications

| | |
|--|---|
| Low Z Power | 60W |
| High Z Power | 70V:2.5W/5W/10W/20W 100V:5W/10W/20W/x |
| Frequency Response(-10dB) | 100Hz-20kHz |
| Horizontal Coverage | 100° |
| Vertical Coverage | 20° |
| Maximum Calculated SPL/1M(Continuous/Peak) | 111dB/117dB |
| HF | 2x1" driver |
| LF | 4" driver, 1" voice coil |
| Impedance | 16Ω |
| Crossover Mode | Passive Crossover |
| Input Connectors | All-weather protective connector |
| Cabinet Material | ABS plastic material |
| Angle adjustment | 0°,4° |
| Cabinet Color | Metal gray |
| Grille | Aluminium mesh |
| Mesh Color | Metal gray is standard and default color, Contact Audiocenter for customization |
| Pole Mount | M10 |
| Speaker Dimensions(W×H×D) | 215x122x165mm |
| Carton Dimensions(W×H×D) | 253×160×247mm |
| Net Weight | 2.5kg |
| Shipping Weight | 2.9kg |
| Technical Support and After-sales Service | Global application support team, EASE GLL Files |

Product Overview

Butterfly 4ca consists of 1 pc 4-inch LF driver and 2 pcs soft dome tweeters. The HF have an exclusive T-EYE™ design, and the array layout is assembled in the center front of the speaker. The speaker has a wider frequency response and large near-field coverage, and the sound is especially defined and delicate.

Butterfly 4ca also have a modular design concept, which can be used individually or in combination with multiple speakers. It has good scalability and can flexibly adapt to various environments and applications.

Butterfly 4ca is available both in High Impedance (70V/100V) and Low Impedance (16Ω).

70V: 2.5W/5W/10W/20W

100V:5W/10W/20W/x

System Configuration

- Artist T2.4V/T4.4V Amplifier
- BrainCore CU

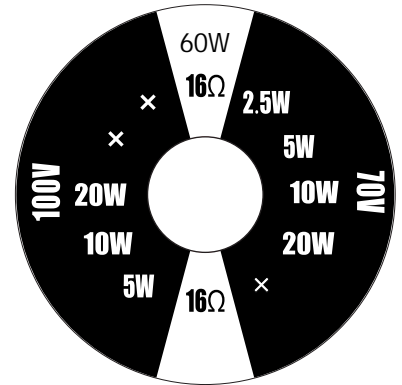
Back Panel



⊙ **High Z and Low Z**

High impedance (70V/100V) and low impedance (16 Ohm) available

70V :2.5W/5W/10W/20W
100V:5W/10W/20W/x

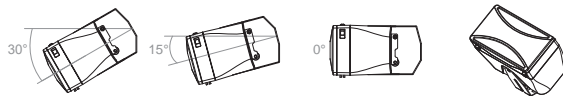


Accessories



Wall Mount / Monitor Bracket
(Standard accessory packed with the speaker)

Dimension (WxHxD):
117x55x141mm



Single Wall Mount

Monitor



Hanging Frame

Dimension (WxHxD):
205x30.5x164.5mm



Line array system



Wall Mount Bracket

Dimension (WxHxD):
205x100x339mm

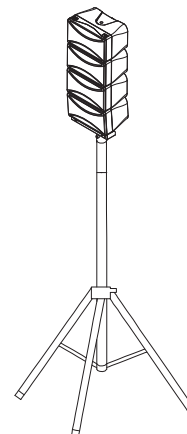


Wall-mount in distributed sound install

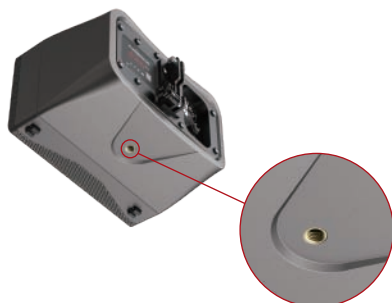


Pole Mount Bracket

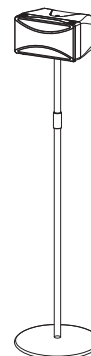
Dimension (WxHxD):
205x92.5x164.5mm



Tripod Pole Mount



Cabinet built -in M10 hole



Mount with Microphone Stand