

Audiocenter

Dynamic Audio Solutions

BrainCore™
Technology Inside

www.audiocenter.net

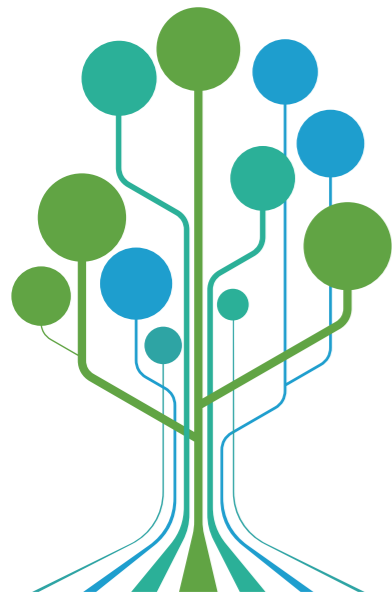
Together we are stronger



MA Series
Portable Active DSP-controlled Loudspeaker

MA Series is a portable active DSP-controlled loudspeaker. It is Audiocenter's first lightweight molded loudspeaker crafted with excellent sound, compact size, and stylish industrial design. It is versatile, portable and plug-and-play, and can be widely used in various types of applications.





BrainCore™

BrainCore™ is an innovative core application technology researched and developed by Audiocenter, devoted to Audiocenter active DSP-controlled loudspeakers with supreme performance and high reliability.

With its advanced technology and scientific methodology, BrainCore™ analyses and processes the input signal, DSP module, Class D amplifier and loudspeaker optimally, achieving excellent frequency response and audio reproduction even at high levels of SPL.

IMPORTANT FEATURES



Innovative BrainCore™ technology to improve the audio performance of the system

The innovative BrainCore™ technology and built-in powerful DSP processor improve the performance of the loudspeaker. With Cort™ correction technology and Limita™ processing technology, the system works with safety and reliability and achieves supreme performance.



Advanced Cooling System

Moulded large heatsink improves the cooling efficiency, with the result of higher reliability of the system.



EQ Adjustable

The frequency response of different bandwidth range can be adjusted according to actual application, very easy to use.



Big horn

The big and uncovered horn delivers clear and perfect stereo sound with high fidelity.



Durable and reliable

one-piece molding with a new type of polypropylene composite material, strong and wear-resistant.



Elegant physical design

The cabinet is shaped with a charming curvature, elegant and stylish.



Plug-and-play, user-friendly controls

Simple and integrated control panel, easy to set up and play.

Flexible and friendly, users can choose music styles based on their preference.

Supports signal inputs from microphone, music instrument and Bluetooth devices, etc. and control each signal independently



Class D Amplifier

MA adopts customized Class D amplifier together with switch mode power supply technology, which ensures the high efficiency of the system, exquisite and compact outlook and advanced cooling.



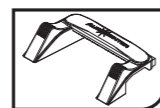
Built-in Bluetooth

Built-in wireless bluetooth makes various bluetooth devices can be linked easily and get the audio output. Users can enjoy the wonderful sound whenever and wherever possible. The transfer is stable and reliable, which makes the sound clean and clear.



Portable Design

Easy to carry and transport.



Considerate

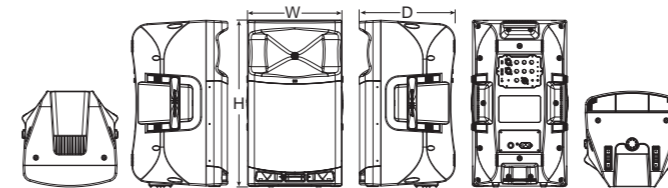
Built with a comfortable molded handle for easy carrying and a tilt angle for monitor use.

AUDIOCENTER

Dynamic Audio Solutions

MA12

1600W
Watts Peak



Dimension(WxHxD):345x610x352mm

SPECIFICATION

Frequency Response(-10dB)	50Hz-20kHz
Horizontal Coverage Angle (Symmetrical)	80°
Vertical Coverage Angle (Symmetrical)	50°
Maximum Calculated SPL/1M(Continuous/Peak)	125dB/131dB
HF Driver	Customized driver, 1.0"exit, 1.4"voice coil
LF Driver	Customized 12" driver, 3"voice coil
DSP	
Processor	48kHz signal sampling frequency
AMPLIFIER	
Amplifier Circuitry	Class D
Power(RMS standards)	800W
Peak Power	1600W
Frequency Response (1W 8Ω 2ch)	20Hz-20kHz(±0.5dB)
Intermodulation Distortion (20Hz-20kHz, half power)	<0.05%
Total Harmonic Distortion (20Hz-20kHz, Rated power 8Ω)	<0.05%
Cooling System Protection	Cooling with fans, air convection DC protection, short circuit protection, overheat protection, input overload protection, output overload protection, soft startup protection, overvoltage protection, undervoltage protection
Output / Input	
Signal Input	2xfemale XLR(Mono jack 6.35), 1xwireless bluetooth, 1xMini jack 3.5
Signal Output	1x male XLR
Power Input	IEC power connector
AC Power Operating Range	100-240V~ (±10%, 50/60Hz)
Power consumption (1/8 output power)	55W
CABINET	
Cabinet	New polypropylene composite material
Cabinet Color	Black is the default color
Grille	Iron mesh
Handles	2 side, 1 top
Monitor Angle	Symmetrical 45° monitor angle
Hanging Hardwares	M8 screw
Pole Mount	Base hole Φ35mm
Speaker Dimension (WxHxD)	345x610x352mm
Carton Dimensions (WxHxD)	405x680x405mm
Net Weight	14.0kg
Shipping Weight	17.5kg

PRODUCT PROFILE

MA12 full range DSP-controlled loudspeaker, is molded and made from new polypropylene composite material, with fashionable design and supreme performance. Audiocenter BrainCore™ Technology, provides the best sound quality by analyzing and processing input signal, integrated Class D amplifier and DSP module optimally, improving the audio performance of the system significantly. Built-in Bluetooth, link with various smart devices easily.

MA12 can be used as PA loudspeakers and stage monitor. There are multiple ways of mounting and installation, for example, pole mount with a three-feet stand, or hanging installation.

SUGGESTED APPLICATION



Multi-functional meeting room



House of worship



Museum



Lecture



DJ



Stage Monitor



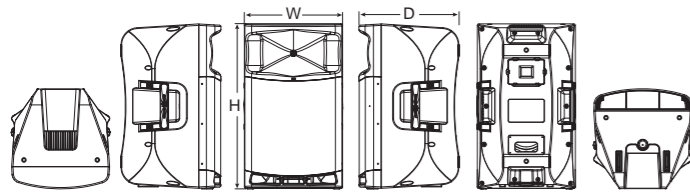
Wedding

SYSTEM CONFIGURATION

■ MA subwoofer or the same type of subwoofer

MA15

1600W
Watts Peak

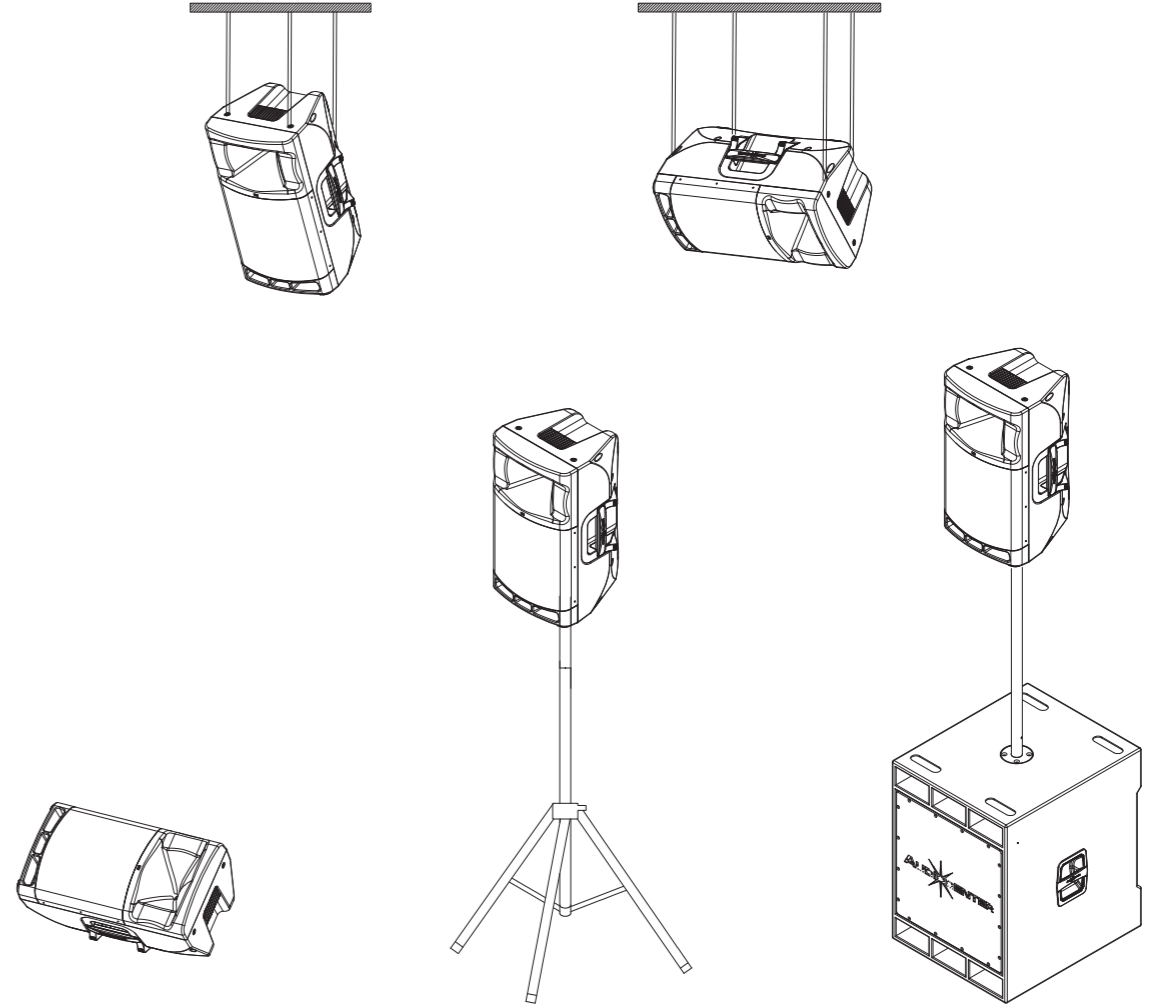


Dimension(WxHxD):417x702x426mm

SPECIFICATION

Frequency Response(-10dB)	45Hz-20kHz
Horizontal Coverage	80°
Angle (Symmetrical)	
Vertical Coverage	50°
Angle (Symmetrical)	
Maximum Calculated SPL/1M(Continuous/Peak)	128dB/134dB
HF Driver	Customized driver, 1.0"exit, 1.4"voice coil
LF Driver	Customized 15" driver, 3"voice coil
DSP	
Processor	48kHz signal sampling frequency
AMPLIFIER	
Amplifier Circuitry	Class D
Power(RMS standards)	800W
Peak Power	1600W
Frequency Response (1W 8Ω 2ch)	20Hz-20kHz(±0.5dB)
Intermodulation Distortion (20Hz-20kHz, half power)	<0.05%
Total Harmonic Distortion (20Hz-20kHz, Rated power 8Ω)	<0.05%
Cooling System	Cooling with fans, air convection
Protection	DC protection, short circuit protection, overheat protection, input overload protection, output overload protection, soft startup protection, overvoltage protection, undervoltage protection
Output / Input	
Signal Input	2xfemale XLR(Mono jack 6.35), 1xwireless bluetooth, 1xMini jack 3.5
Signal Output	1x male XLR
Power Input	IEC power connector
AC Power Operating Range	100-240V~ (±10%, 50/60Hz)
Power consumption (1/8 output power)	64W
CABINET	
Cabinet	New polypropylene composite material
Cabinet Color	Black is the default color
Grille	Iron mesh
Handles	2 side, 1 top
Monitor Angle	Symmetrical 45° monitor angle
Hanging Hardwares	M8 screw
Pole Mount	Base hole Φ35mm
Speaker Dimension (WxHxD)	417x702x426mm
Carton Dimensions (WxHxD)	475x775x475mm
Net Weight	17.5kg
Shipping Weight	22.5kg

INSTALLATIONS



PRODUCT PROFILE

MA15 full range DSP-controlled loudspeaker, is molded and made from new polypropylene composite material, with fashionable design, supreme performance. Audiocenter BrainCore™ Technology, provides the best sound quality by analyzing and processing input signal, integrated Class D amplifier and DSP module optimally, improving the audio performance of the system significantly. Built-in Bluetooth, link with various smart devices easily.

MA15 can be used as PA loudspeakers and stage monitor. There are multiple ways of mounting and installation, for example, pole mount with a three-feet stand, or hanging installation.

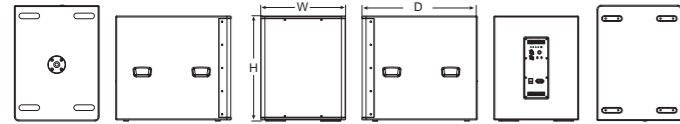
SUGGESTED APPLICATION



SYSTEM CONFIGURATION

- MA subwoofer or the same type of subwoofer

MA118



Dimension(WxHxD):510x632x695mm

SPECIFICATION	
Type	Active DSP-controlled Compact Subwoofer
Frequency Response(-10dB)	30Hz-140Hz
Maximum Calculated SPL/1M(Continuous/Peak)	128dB/134dB
LF Driver	Customized 18" driver, 4"voice coil
DSP	
Processor	48kHz signal sampling frequency
Presets	80Hz, 100Hz, 120Hz
AMPLIFIER	
Amplifier Circuitry	Class D
Power (RMS standards)	1000W
Peak Power	2000W
Frequency Response (1W 8Ω 2ch)	20Hz-20kHz(±0.5dB)
Intermodulation Distortion	<0.05%
Total Harmonic Distortion	<0.05%
Cooling System	Cooling with fans, air convection
Protection	DC protection, short circuit protection, overheat protection, input overload protection, output overload protection, soft startup protection, overvoltage protection, undervoltage protection
Output/Input	
Signal Input	Female XLR
Signal Output	Male XLR
Power Input	IEC power connector
AC Power Operating Range	100V-130V~ or 220V-240V~ (±10%,50/60Hz)
Power consumption (1/8 output power)	120W
CABINET	
Cabinet	CNC made of excellent wood
Cabinet Color	Black is the default color. Contact Audiocenter for customization
Grille	Iron mesh
Handles	4 side
Pole Mount	M20 base Φ35mm
Speaker Dimension (WxHxD)	510x632x695mm
Carton Dimensions (WxHxD)	596x750x780mm
Net Weight	39.0kg
Shipping Weight	42.0kg

PRODUCT PROFILE

3 low-pass filters (80Hz, 100Hz, 120Hz) in MA118 are available to choose according to different venues and music styles. There is also phase switch. All connectors and function buttons are on the back panel.

MA118 subwoofer is with 1-way XLR for input and output. Signals can be sent to different loudspeakers for sound distribution.

SYSTEM CONFIGURATION

- MA full range loudspeaker or the same type of full range loudspeaker

ACCESSORIES FOR MA118

Flightcase (customized) For 1 cabinet, with 100mm wheels	Rain bag (customized)	Dolly (customized)

SUGGESTED APPLICATION

Multi-functional meeting room	Museum	DJ	Wedding

MA Series Specifications

SPECIFICATIONS	MA12	MA15	MA118
Frequency Response(-10dB)	50Hz-20kHz	45Hz-20kHz	30Hz-140Hz
Directivity -6dB(H°xV°)	80° x 50°		/
Maximum Calculated SPL/1M	Continuous	125dB	128dB
	Program	128dB	131dB
	Peak	131dB	134dB
Drivers	HF	Customized driver, 1.4" voice coil, 1.0" exit	
	LF	Customized 12" driver, 2.5" voice coil	Customized 15" driver, 3" voice coil
DSP			
Processor	48kHz signal sampling frequency		
Presets	/	80Hz, 100Hz, 120Hz	
AMPLIFIER			
Amplifier	Class D		
Power(RMS standards)	800W	1000W	
Peak Power	1600W	2000W	
Frequency Response (1W 8Ω 2ch)	20Hz-20kHz(±0.5dB)		
Intermodulation Distortion (20Hz-20kHz, half power)	<0.05%		
Total Harmonic Distortion (20Hz-20kHz, Rated power 8Ω)	<0.05%		
Cooling	Cooling with fans ,air convection		
Protection	DC protection,Short circuit protection,Overheat protection, Output overload protection, Soft startup protection, Overvoltage protection, Undervoltage protection		
Signal Input Connector	2xfemale XLR(Mono jack 6.35), 1xwireless bluetooth, 1xMini jack 3.5	Female XLR	
Signal Output Connector	Male XLR		
Power Input	IEC power connector		
Working Voltage	100-240V~ (±10%,50/60Hz)	100V-130V~ or 220V-240V~(±10%,50/60Hz)	
Power consumption (1/8 output power)	55W	64W	120W
CABINET			
Cabinet	New polypropylene composite material	CNC made of excellent wood	
Cabinet Color	Black is the default color		
Grille	Iron mesh		
Handles	2 side, 1 top	4 side	
Monitor Angle	Symmetrical 45° monitor angle		/
Hanging Hardwares	M8 screw		
Pole Mount	Base hole Φ35mm		M20 base Φ35mm
Speaker Dimension (WxHxD)	345x610x352mm	417x702x426mm	510x632x695mm
Carton Dimensions (WxHxD)	405x680x405mm	475x775x475mm	596x750x780mm
Net Weight	14.0kg	17.5kg	39.0kg
Shipping Weight	17.5kg	22.5kg	42.0kg

■ All content subject to change without notice. All rights reserved. AC - MA - 202312