

Audiocenter

Dynamic Audio Solutions

BrainCore™
Technology Inside

www.audiocenter.net

Together we are stronger



K-LA12A Active DSP-controlled Line Array

K-LA12A active DSP-controlled line array is a very compact system which is very flexible to use and with high efficiency and reliability. The system is perfectly integrated with Braincore™ technology, and fashionable design idea. It can be used in various venues and meet the mixed demands of different applications. The system is specially designed for touring performances and fixed installations like live sound, Touring systems, Clubs, Auditoriums, Theatres and House of Worship.





IMPORTANT FEATURES



Innovative BrainCore™ technology to improve the audio performance of the system

The innovative BrainCore™ technology and built-in powerful DSP processor improve the performance of the speaker. With Cort™ correction technology and Limita™ processing technology, the system works with safety and reliability and achieves supreme performance.



Innovative ETE™ Waveguide Technology

The innovative ETE™ waveguide technology realizes the perfect joint of frequency response, which provides the accurate horizontal coverage and ensures the well-balanced, clear and clean sound for the system.



Active Speaker DSP

Full range loudspeakers is built with 3 different presets, subwoofer is built with 3 different low-pass filters. Users can choose different presets or low-pass filters according to their needs via the buttons on the back panel.



Class D Amplifier

Adopts customized Class D amplifier together with switch mode power supply technology, which ensures the system for high efficiency, exquisite and compact outlook and advanced cooling.



Customized ProDriver

Latest speaker technology and customized driver ensure very clean and clear sound and impressive sound dynamic.



Advanced Cooling System

Moulded large heatsink improves the cooling efficiency, with the result of higher reliability of the system.



Solid Wood Cabinet

Optimized and compact CNC made cabinet of excellent wood is solid, very suitable for touring application.



Integrated Flyware

Integrated installation accessories built in the cabinet make it in installation flexibility.



Sleep mode

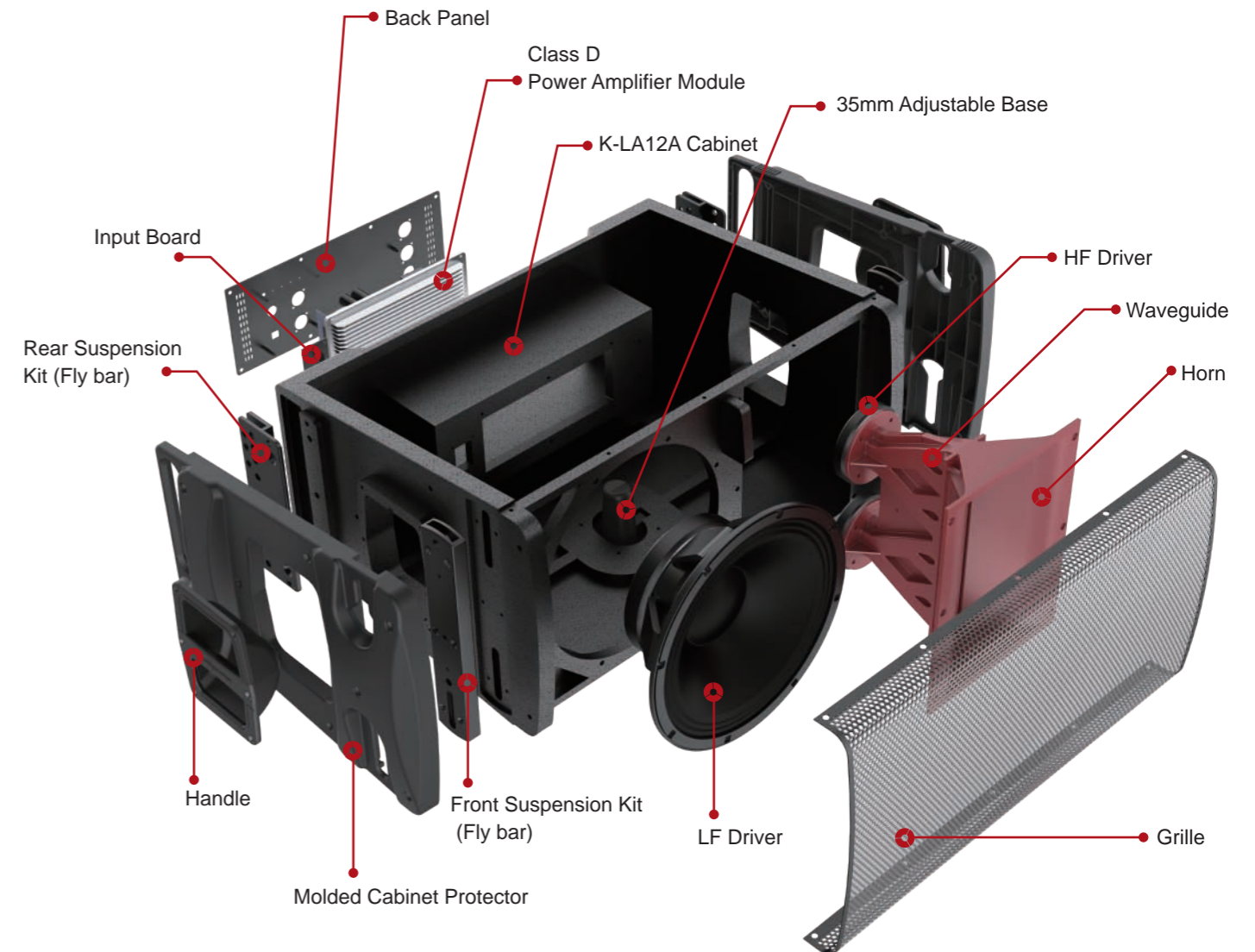
To save power, the system will enter into sleep mode automatically if without signal input for 15 mins.



EASE GLL

We provide EASE GLL file for free.

INTERNAL STRUCTURE

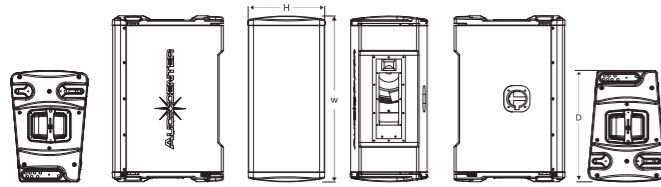


K-LA12A

The innovative Braincore™ technology and built-in powerful DSP processor improve the performance of the speaker. With Cort™ correction technology and Limita™ processing technology, the system works with safety and reliability and achieves supreme performance. Thanks to the innovative ETE™ wave guide design and technology, the system can achieve supreme sound performance, perfect sound coverage and excellent frequency response. With molded wave guide and molded horn to provide precise horizontal coverage and ensure clear and balanced sound for the system.

The cabinet is made with excellent wood, customized molded material, unique physical acoustic design, which make the outlook very fashionable, solid and also can lower the resonance.

K-LA12A speaker can fly with 10mm pin and customized flying frame. The integrated strong hardware makes the set up much easier and faster. Users can make free combinations for bigger or smaller system to meet the different application demands.



Dimension(WxHxD): 698x324x468mm

FEATURES

- 2000W Peak Power
- Maximum SPL 137 dB
- Customized driver
- The innovative ETE™ waveguide technology can ensure excellent frequency response, to achieve very smooth transitions between HF and LF, which provides precise horizontal coverage and ensures clear and balanced sound for the system.
- Built in DSP with 96kHz signal sampling frequency
- Sleep mode automatically if without signal input for 15 mins
- Class D amplifier
- Advanced cooling system in the driver
- 35mm base on the bottom, with 0° and 10° adjustable angle
- Optimized, compact and light weight cabinet design for easy usage
- Comprehensive accessories for different applications



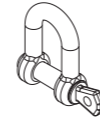
SYSTEM CONFIGURATION

- K-LA218-DSP subwoofer

SPECIFICATION

Type	Active DSP-controlled full range loudspeaker
Frequency Response(-10dB)	47Hz-20kHz
Horizontal Coverage	100°
Angle (Symmetrical)	
Vertical Coverage	Splay angle dependent
Angle (Symmetrical)	
Maximum Calculated SPL/1M(Continuous/Peak)	131dB/137dB
HF Driver	Customized driver, 1"exit, 1.75"voice coil
LF Driver	Customized 12" driver, 3"voice coil
DSP	
Processor	96kHz signal sampling frequency
Presets	ARRAY2,ARRAY4,ARRAY6
AMPLIFIER	
Amplifier Circuitry	Class D
Power(RMS standards)	1000W
Peak Power	2000W
Frequency Response (1W 8Ω 2ch)	20Hz-20kHz(±0.5dB)
Intermodulation Distortion	< 0.05%
Total Harmonic Distortion	< 0.05%
Cooling System	Cooling with fans, air convection
Protection	DC protection, short circuit protection, overheat protection, input overload protection, output overload protection, soft startup protection, overvoltage protection, undervoltage protection
Output/Input	
Signal Input	Female XLR
Signal Output	Male XLR
Power Input	Power connector
Power Output	Power connector
AC Power Operating Range	100V-130V~ or 220V-240V~(±10%,50/60Hz)
Power consumption (1/8 output power)	107W
CABINET	
Cabinet Material	CNC made of excellent wood
Angle Adjustment	0°, 1°, 2°, 4°, 6°, 8°, 10°
Cabinet Color	Black is the default color. Contact Audiocenter for customization
Grille	Iron mesh
Handles	2 side
Speaker Dimension(WxHxD)	698x324x468mm
Carton Dimensions (WxHxD)	421x793x558mm
Net Weight	31.0kg
Shipping Weight	34.0kg

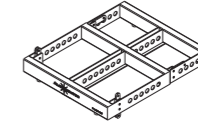
ACCESSORIES



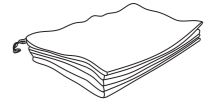
M20 D shackle
Bearing 3T



2M / 3M flying belt
Made of synthetic fibre,
bearing 2T/4T



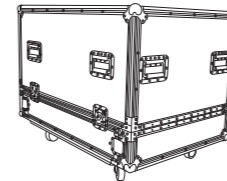
Frame for flying and
ground stacking



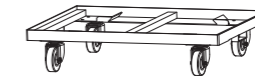
Rain bag(customized)



Coupling bar

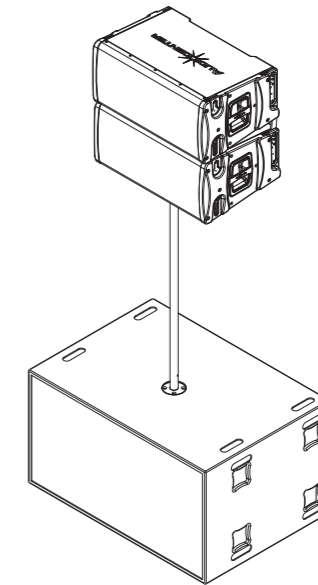
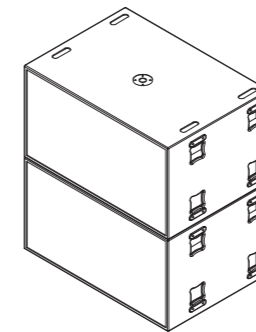
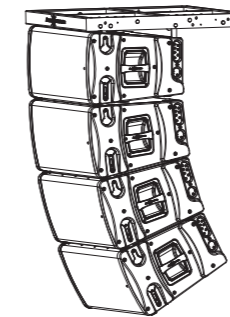


Flightcase
For 4 cabinets,
with 100mm wheels



Dolly

INSTALLATIONS



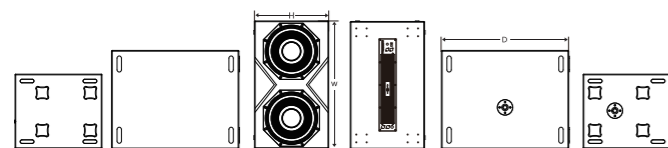
K-LA218-DSP

K-LA218-DSP, an active DSP-controlled Dual 18" subwoofer, is designed to meet the high requirements of touring performance, rental and fixed installation.

The LF drivers of K-LA218-DSP are two customized 18" drivers (4" voice coil).

User Selectable 3 low-pass filters (80Hz,100Hz,120Hz) in K-LA218-DSP are available for the users to choose according to different environments and music styles.

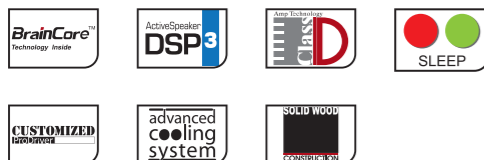
K-LA218-DSP is a perfect match for all Audiocenter full range speakers, extending band width of frequency response and delivering powerful, impressive, punchy bass sound.



Dimension(WxHxD): 1080x595x760mm

FEATURES

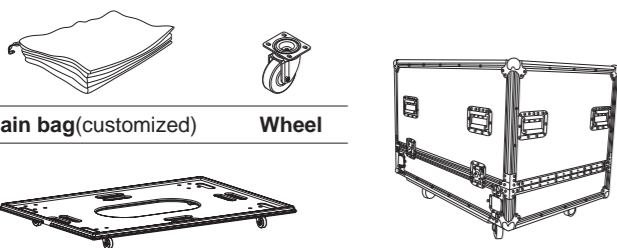
- Hi end digital controller on board(DSP) with 96kHz signal sampling frequency
- Sleep mode automatically if without signal input for 15 mins
- Class D amplifier
- Advanced cooling system in the driver
- Rock solid humidity free birch plywood CNC made cabinet
- Comprehensive accessories suitable for different applications



SYSTEM CONFIGURATION

- K-LA12A,K-LA/K-LA-DSP Series line array

ACCESSORIES



Rain bag(customized)

Wheel

Dolly
For 2 cabinets

Flightcase
For 1 cabinet,
with 100mm wheels

SPECIFICATION

Type	Active DSP-controlled Compact Subwoofer
Frequency Response(-10dB)	32Hz-150Hz
Maximum Calculated SPL/1M(Continuous/Peak)	134dB/140dB
LF Driver	Customized 2x18" driver, 4"voice coil
DSP	
Processor	96kHz signal sampling frequency
Presets	80Hz, 100Hz, 120Hz
AMPLIFIER	
Amplifier Circuitry	Class D
Power(RMS standards)	2800W
Peak Power	5600W
Frequency Response (1W 8Ω 2ch)	20Hz-20kHz(±0.5dB)
Intermodulation Distortion (20Hz-20kHz, half power)	<0.05%
Total Harmonic Distortion (20Hz-20kHz, rated power 8Ω)	<0.05%
Cooling System	Cooling with fans
Protection	DC protection, short circuit protection, overheat protection, input overload protection, output overload protection, soft startup protection, overvoltage protection, undervoltage protection
Signal Input	Female XLR
Signal Output	Male XLR
Power Input	Power connector
AC Power Operating Range	100V-130V~ or 220V-240V~ (±10%,50/60Hz)
Power consumption (1/8 output power)	295W
CABINET	
Cabinet Material	Russian birch plywood CNC made
Cabinet Color	Black is the default color. Contact Audiocenter for customization
Grille	Iron mesh
Handles	8 side
Polo Mount	M20 base φ35mm
Speaker Dimension(WxHxD)	1080x595x760mm
Carton Dimensions (WxHxD)	846x1186x681mm
Net Weight	101.0Kg
Shipping Weight	105.0Kg

■ K-LA12A & K-LA218-DSP Specifications

SPECIFICATIONS	K-LA12A	K-LA218-DSP
Frequency Response(-10dB)	47Hz-20kHz	32Hz-150Hz
Horizontal Coverage Angle (Symmetrical)	100°	/
Vertical Coverage Angle (Symmetrical)	Splay angle dependent	/
Maximum Calculated SPL/1M	Continuous	131dB
	Program	134dB
	Peak	137dB
Drivers	HF	Customized driver, 1"exit, 1.75"voice coil
	LF	Customized 12" driver, 3" voice coil
		Customized 2x18" driver,4" voice coil

DSP

Processor	96kHz signal sampling frequency	
Presets	ARRAY2,ARRAY4,ARRAY6	80Hz, 100Hz, 120Hz

AMPLIFIER

Amplifier	Class D	
Power(RMS standards)	1000W	2800W
Peak Power	2000W	5600W
Frequency Response (1W 8Ω 2ch)	20Hz-20kHz(±0.5dB)	
Intermodulation Distortion (20Hz-20kHz, half power)	<0.05%	
Total Harmonic Distortion (20Hz-20kHz, rated power 8Ω)	<0.05%	
Cooling	Cooling with fans, air convection	Cooling with fans
Protection	DC protection / Short circuit protection / Overheat protection / Output overload protection / Soft startup protection / Overvoltage protection / Undervoltage protection	
Signal Input / Signal Output	Female XLR input, male XLR output	
Power Input	Powercon connector	
Power Output	Powercon connector	/
AC Power Operating Range	100V-130V~ or 220V-240V~ (±10%,50/60Hz)	
Power consumption (1/8 output power)	107W	295W

CABINET

Cabinet Material	CNC made of excellent wood	Russian birch plywood CNC made
Angle Adjustment	0°,1°,2°,4°,6°,8°,10°	/
Cabinet Color	Black is the default color. Contact Audiocenter for customization	
Grille	Iron mesh	
Handles	2 side	8 side
Polo Mount	/	M20 base φ35mm
Optional Accessories	Flightcase with 100mm wheels,Durable rain bag, D shackle,Fly belt,Flying frame,Coupling bar,Dolly	Flightcase with 100mm wheels, Durable rain bag,Wheel,Dolly
Speaker Dimension(WxHxD)	698x324x468mm	1080x595x760mm
Carton Dimensions (WxHxD)	421x793x558mm	846x1186x681mm
Net Weight	31.0kg	101.0Kg
Shipping Weight	34.0kg	105.0Kg
Technical Support and After-sales Service	Global application support team, EASE GLL files	

■ All content subject to change without notice. All rights reserved. AC - K-LA12A - 202312